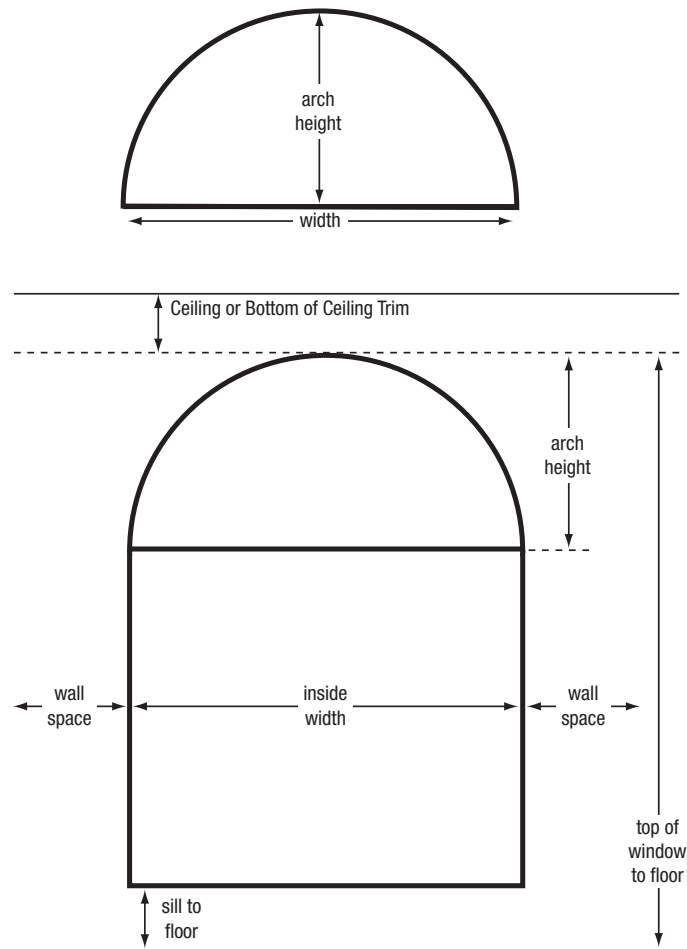


ARCHED WINDOW SOLUTIONS



Standard Arch Formula:
 To be used when height is equal or greater than 1/2 width.
 To calculate Standard Arch rod length: width x 1.57 plus 48 inches for the bending machine.

Eyebrow Arch Formula:
 To be used when height is less than 1/2 of width.
 To calculate Eyebrow Arch rod length: width + height plus 48 inches for the bending machine.

Arch rods with splices are subject to additional bending fees.

Please Note:
 Specify horizontal or vertical application. A template is required to ensure accuracy of production.

Arched rods should be outside mounted on the wall.

Some rods will need to be cut at the apex for shipping.

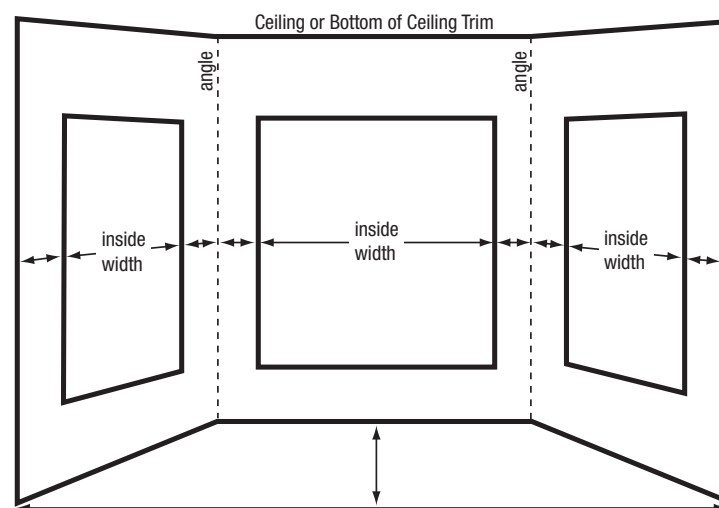
Please specify width and height for rods.

Some arches cannot be achieved.

For welding rings to arched rods, please see the price list.

RR100, RR125, RR175, RD125, 75RD, TRT, TWCH125, SRT1 and SRT2 may be used.

BAY WINDOW SOLUTIONS



Please Note:
 Please specify the measurements shown at left when ordering for a bay window, including angle of side windows to center window.



TRT rod
 ARBC/ARBE brackets



TWCH125 rod with SR3 rings
 ARBE/L135 brackets
 ARBC cannot be used if rings are to be welded



WELB
 Stationary Wood Elbow
 Please specify pole style and length of outer corners



ARBC
 Arched Rod Center Bracket
 Please specify return to wall



ARBE
 Arched Rod End Brackets
 Sold in pairs only
 Please specify return to wall and pole being used
 Cups are custom made to style of pole

ROD RETURNS



107 Bronze with Gold and Gray

75HSRB with 90° Bent Returns

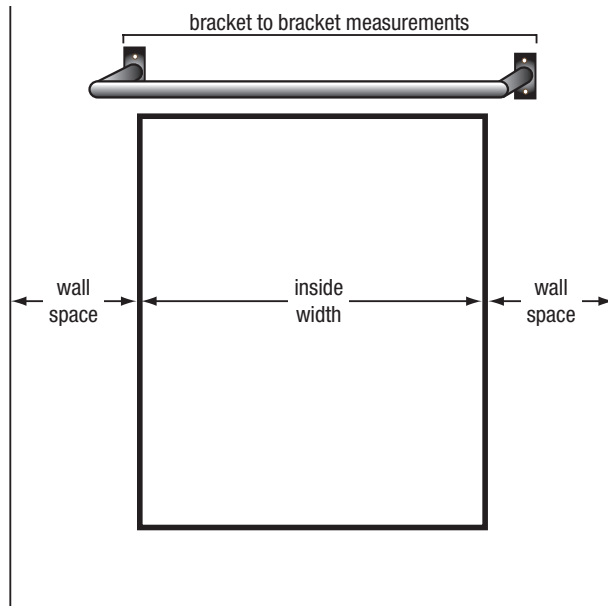
Backplate: 1 3/8" or 2"D, depending on pole diameter
Only the 50SRB, 75RD and 75HSRB can be modified for bent returns



250 Platinum

SRT2 with Mitered Returns

Backplate: 3"H x 1 1/2"W or 3 1/2"H x 2"W, depending on pole diameter
All steel rods can have custom length returns, except TWCH and TWCH125



Specify return

Return = center of rod to wall

Specify back plate to back plate measurements. This equals outside of back plate to outside of back plate

Rod pricing = rod length. 4 foot minimum charge.

Rod with returns over 6" may be subject to additional charges.

There is an additional miter fee or bending fee per corner.

For miter returns, inside dimension of ring should be 3/4" wider than outside dimension of pole.

SWING ARM RODS



350G Statuary Bronze with Gold

Small Swing Arm Rod

Maximum length 20". Rod: 1/2"D, Backplate: 4"H x 5/8"W, Finial: 3/4"L x 1 1/8"W



350G Statuary Bronze with Gold

Large Swing Arm Rod with Scroll

Maximum length 36". Rod: 1"D, Backplate: 8 7/16"H x 1 3/16"W, Finial: 1 3/4"D



DBL1 Double Rod Bracket

Please specify which rods and rings will be used. The returns are contingent upon which rods and if any rings are used



TBKT T-Bracket

Custom projection return and which rod will be used with T-Bracket. This bracket gives extra support for heavier draperies



BL4 Ceiling Mount Bracket

Please specify desired space between top of ceiling and top of pole or rings. Also, specify which pole and rings will be used



FBKT

Please specify return and which rod will be used



SL

Short Leaf
Bracket sold separately
Can be welded onto L135 and A17535



LL

Long Leaf
Bracket sold separately
Can be welded onto L16, L135, A1756 and A17535



RRND Steel Rosette

1 1/4"D
Bracket sold separately
All rosettes can be attached to face of any bracket



C-Ring CRSR3

1 1/2"ID x 2"OD
Use with RR100

CRSR7

2 1/4"ID x 2 3/4"OD
Use with RR125

CRSR12

2 1/2"ID x 3"OD
Use with RR175

Bypass Bracket SCB35

3 1/2" return

SCB6

6" return